

# TEREX PS3000 SWIVEL SKIP DUMPER

## Engine

Model	Kubota V2203M
Power	43 hp (32.4 kW)

## Bucket Capacities

Payload	6,614 lbs (3,000 kg)
Water	1.3 yd <sup>3</sup> (1,000 L)
Struck	2.0 yd <sup>3</sup> (1,500 L)
Heaped	2.4 yd <sup>3</sup> (1,870 L)

## Transmission & Ground Speed (4WD)

Type	3/1 manual - permanent 4WD
Speed	12 mph (19 kph)

## Tires

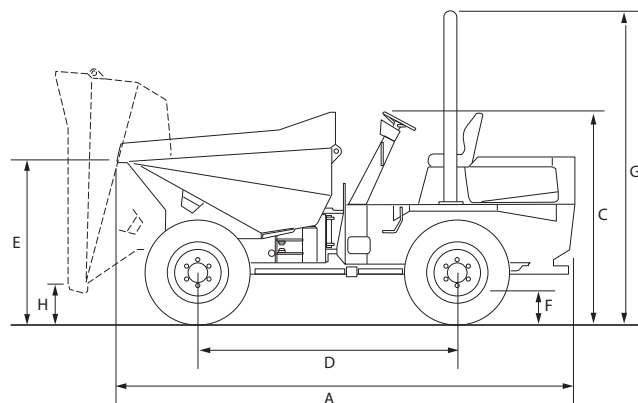
Rough Terrain	11.5/80x15.3x8 ply
---------------	--------------------

## Operating Weight

Weight	5,622 lbs (2,550 kg)
--------	----------------------

## Breakes

Enclosed, oil immersed, multi-plate disc brakes.



A	Total length	152 in (3,850 mm)
B	Total width	73 in (1,860 mm)
C	Height to top of steering wheel	73 in (1,860 mm)
D	Wheelbase	77 in (1,950 mm)
E	Height from bucket tip	59 in (1,500 mm)
F	Ground clearance	12 in (300 mm)
G	Height to top of ROPS	106 in (2,680 mm)
H	Height to front lip of bucket	43 in (1,100 mm)
	Turning radius outside of bucket	15'1" (4,665 mm)
	Weight	5,662 lbs (2,550 kg)
	Steering angle	+/- 30°
	Oscillation	+/- 10.5°
	Tipping type	Swing 180°

## Electrical System

Voltage	12 V
Battery	74 Ah
Alternator	55 A

## Braking System

Foot Brake	Oil immersed discs on front/rear
Parking Brake	Over center handbrake - Oil immersed disc front axle